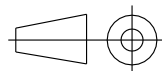
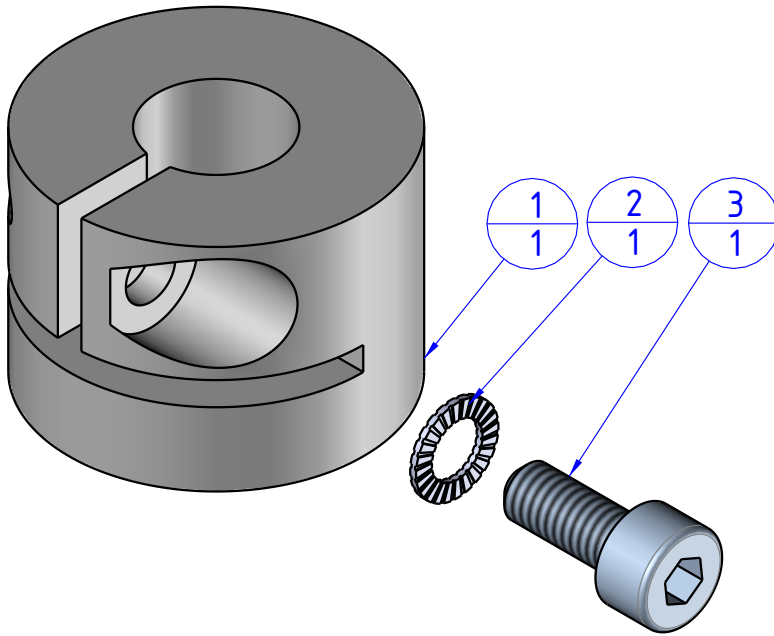
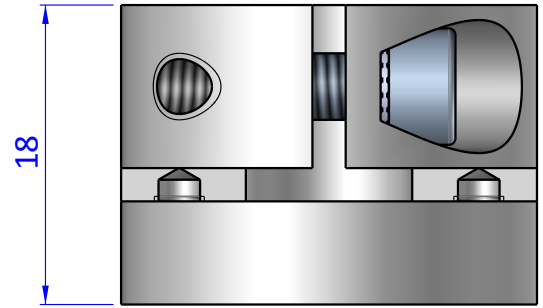
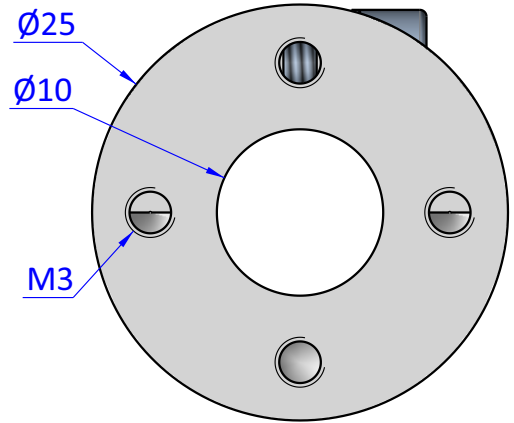


THE PROPERTY OF THE DRAWING IS ESTABLISHED BY LAW. IT IS FORBIDDEN TO PRODUCE OR SHOW IT TO THIRD PART. WITHOUT A WRITTEN AGREEMENT.

Item	Name	Q.ty
1	MTP.10	1
2	R.4.SCH	1
3	V.TCE4x10	1



DESIGNED FROM		REVIEW
FPS Automation		A
DATE	WEIGHT	
07/10/2022	0,019kg	
CODE		
CA.MTP.10		

Format A4	GENERAL TOLERANCE	DESCRIPTION
UNI 936-76	UNI - ISO 2768 CLASSE f	CA.MTP.10